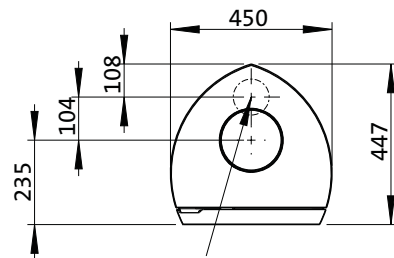
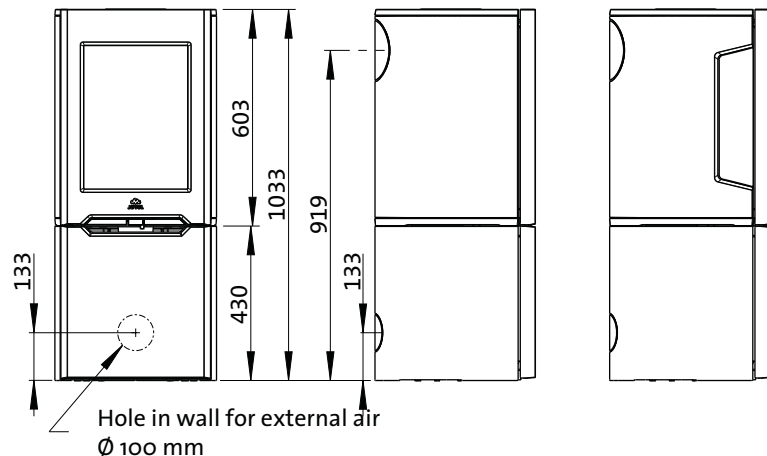


Fig. 1a

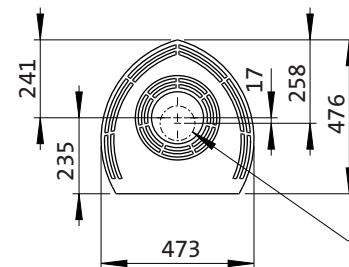
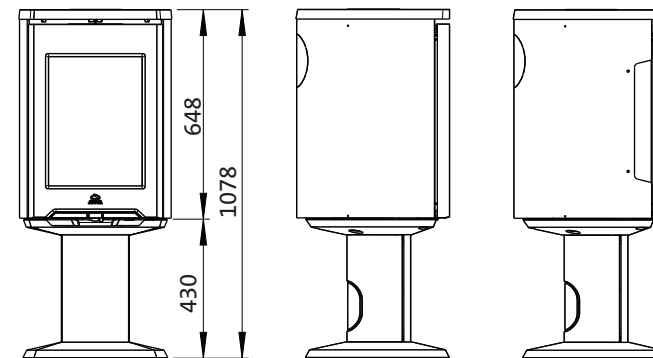
# Jøtul F 164 / Jøtul F 165 / Jøtul F 166 / Jøtul F 167 / Jøtul F 166 C / Jøtul F 167 C

## Product: Jøtul F 164 / Jøtul F 165



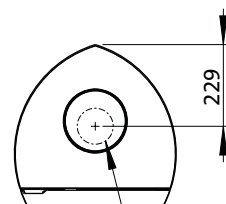
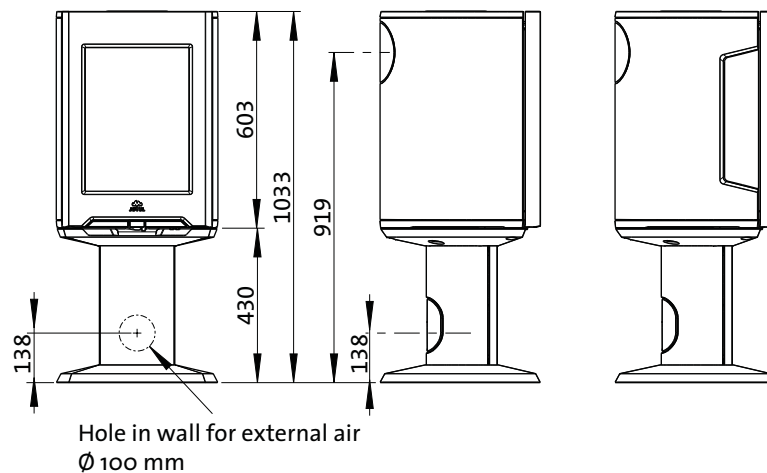
Hole in floor for external air  $\varnothing$  100 mm

## Product: Jøtul F 166 C / Jøtul F 167 C



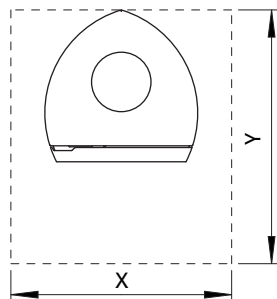
Hole in floor for external air  $\varnothing$  100 mm

## Product: Jøtul F 166 / Jøtul F 167



Hole in floor for external air  $\varnothing$  100 mm

Jøtul F 164 / Jøtul F 165  
with soapstone set and floor plate



Min. measurements floor plate X,Y =  
According to national standards  
and regulations. See chapter 4.1

Smoke outlet when using  
soapstone set and  
floor plate

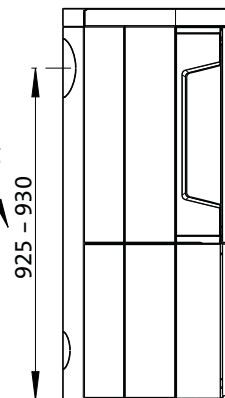
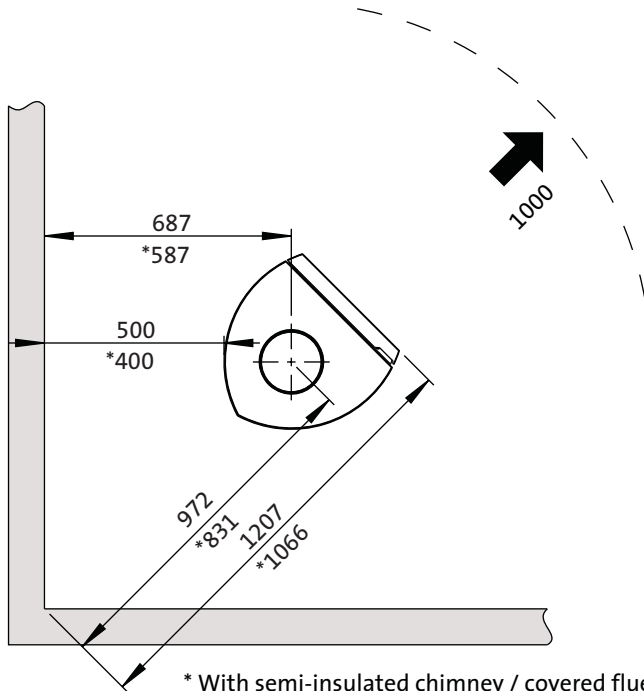
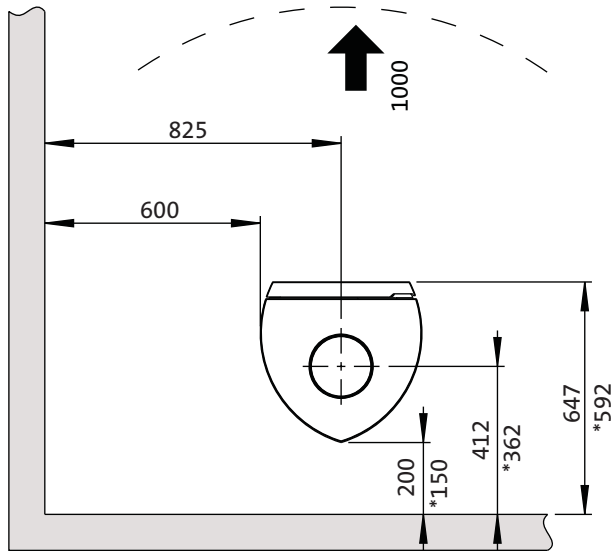


Fig. 1b

Jøtul F 164 / Jøtul F 165 / Jøtul F 166 / Jøtul F 167

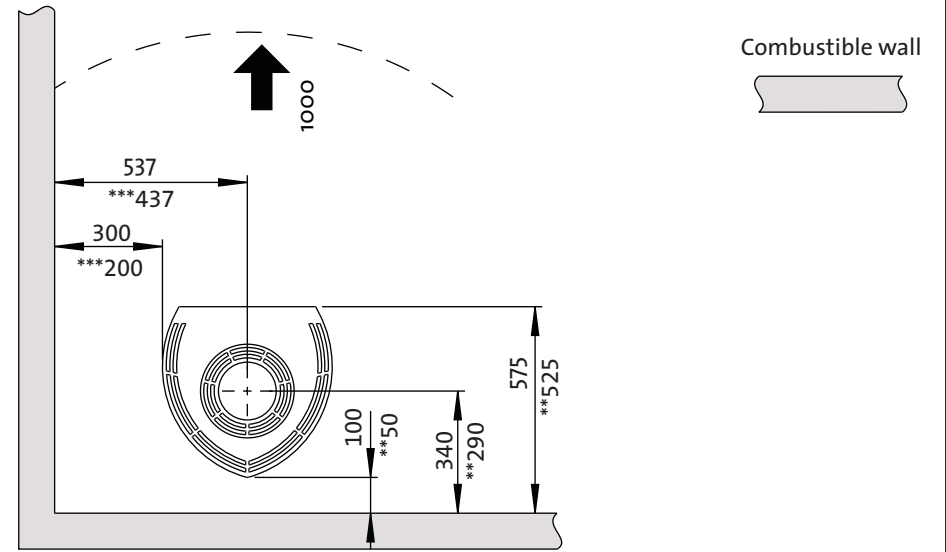
Min. distance to combustable wall, base model



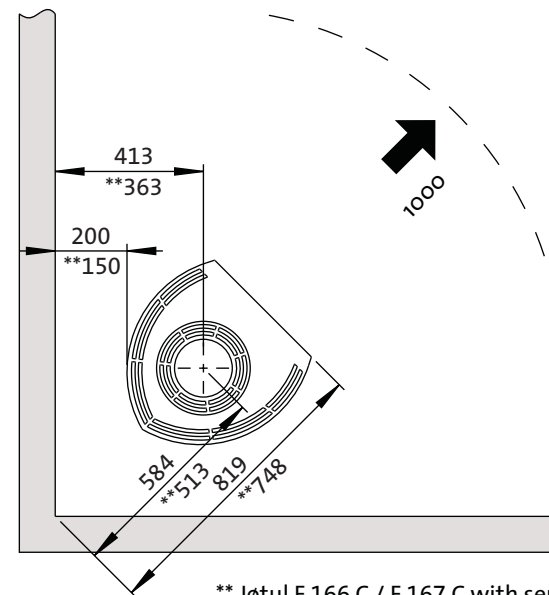
\* With semi-insulated chimney / covered flue pipe down towards the product.

Jøtul F 166 C / Jøtul F 167 C

Min. distance to combustable wall, convection model



\*\*\* For Jøtul F 166 C only



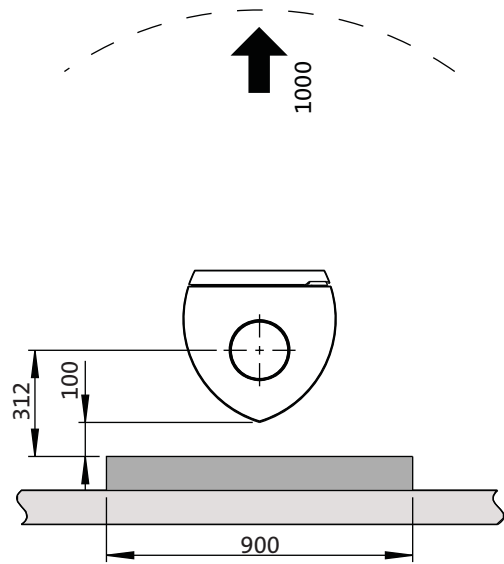
\*\* Jøtul F 166 C / F 167 C with semi-insulated chimney / covered flue pipe down towards the product.

Combustible wall

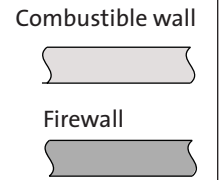
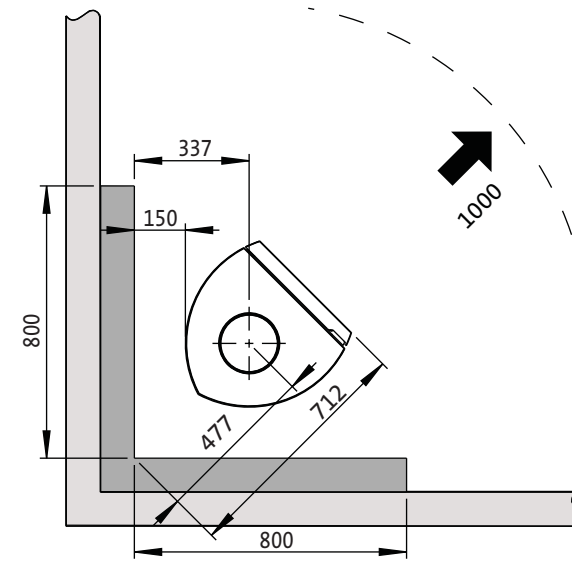
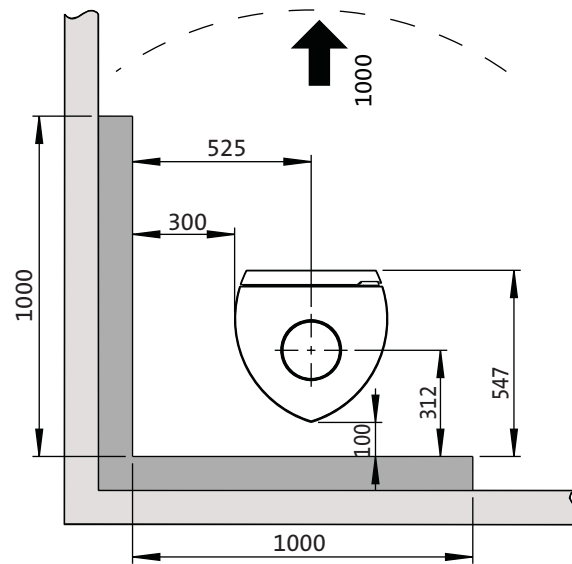
Fig. 1c

# Jøtul F 164 / Jøtul F 165 / Jøtul F 166 / Jøtul F 167

External



Min. distance to combustible wall protected by firewall



Integrated

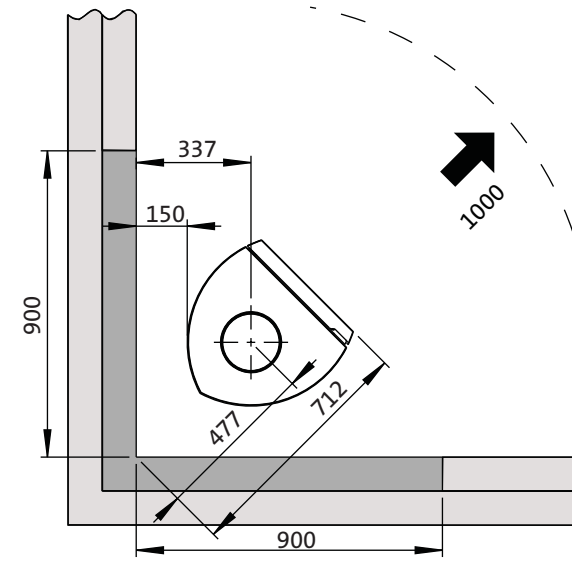
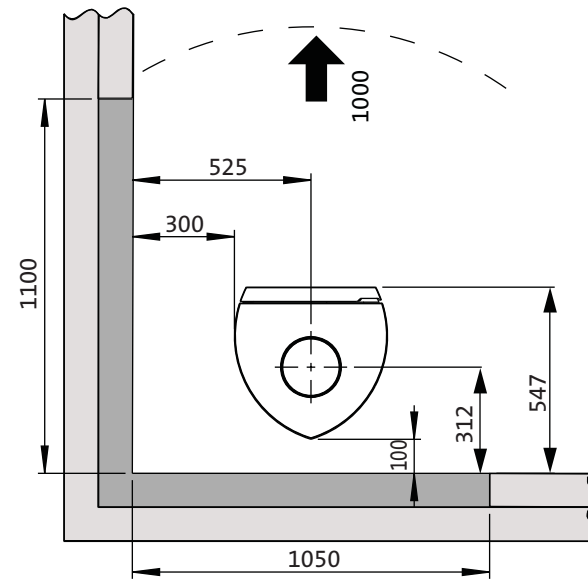
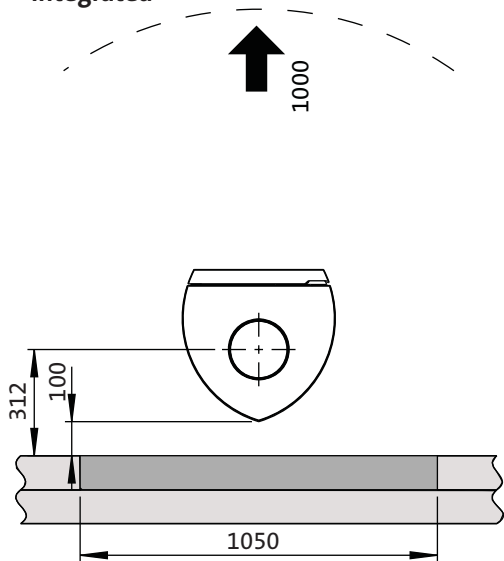


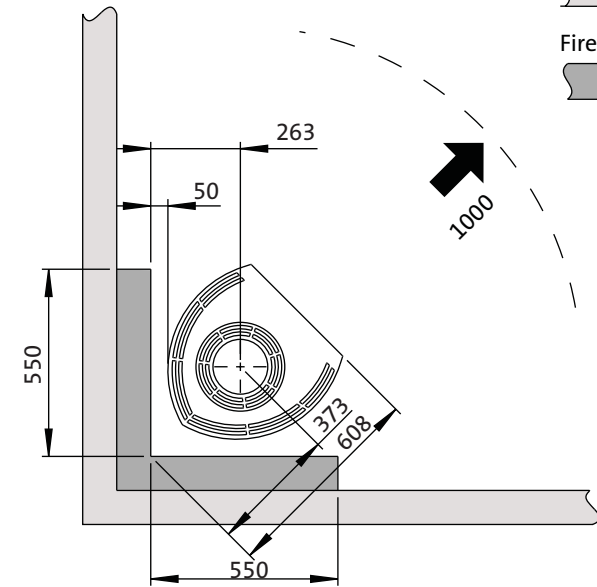
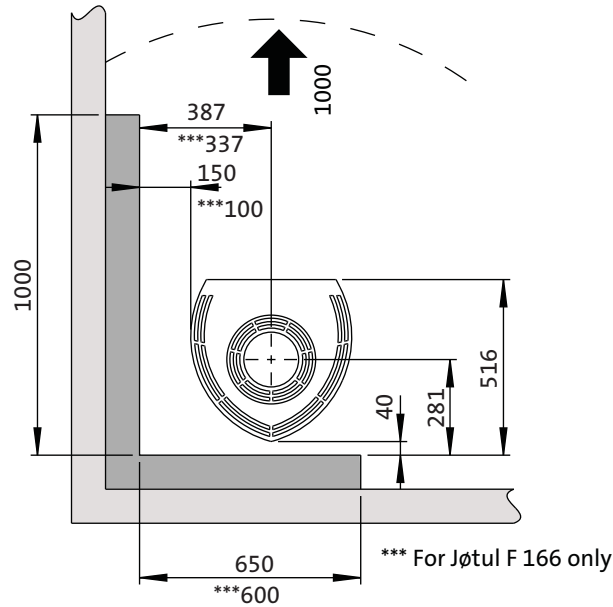
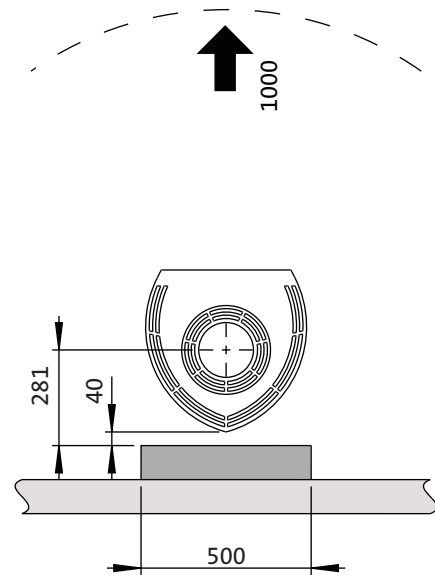
Fig. 1d

# Jøtul F 166 C/ Jøtul F 167 C

Combustible wall  
 Firewall

External

Min. distance to combustible wall protected by firewall



Integrated

