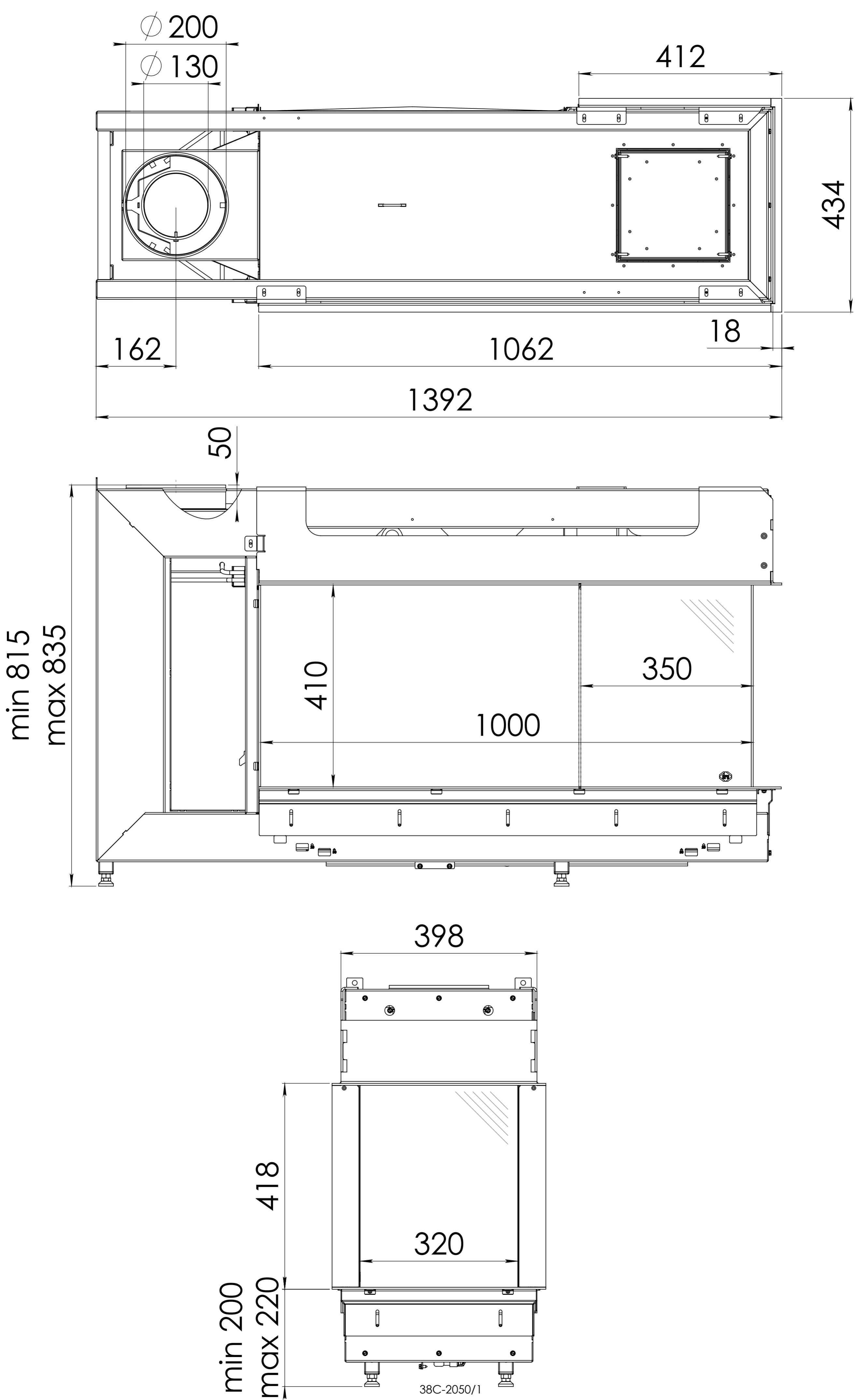


Metro 100 XTL L RCH 41



Metro 100 XTL R RCH 41